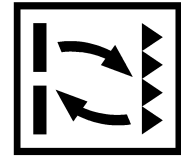
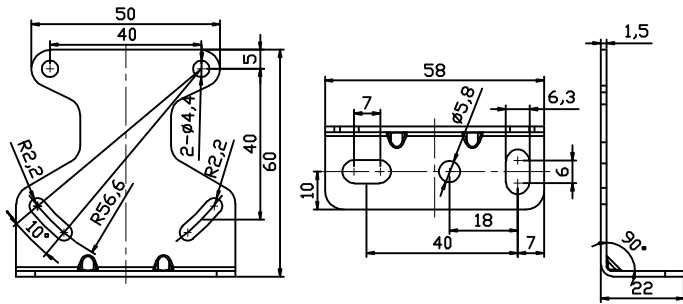
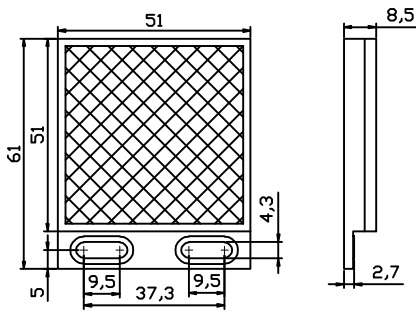
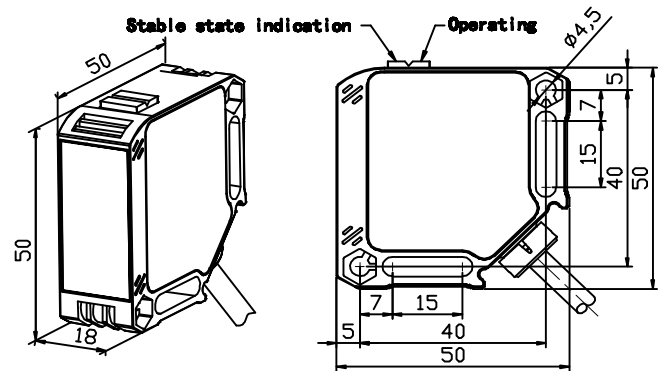


Dimensions



Polarization reflection

Type	Distance	Beam Output	Connection	Wiring	
G70PR-TQ50-RE2V	7m	Red	Relay	Cable	Fig.1



Technical Specification

Electrical

Operating voltage	10...30VDC
Ripple voltage	±10% of U_B
Light source	Red LED, 650nm
Output characteristic	Relay
Load current	Relay 1A 24VDC/120VAC
Power consumption	< 40mA
Switching frequency	< 50Hz
Response time	< 200ms

Indicators

Stable state indication	Green LED
Operating	Red LED

Mechanical

Housing material	ABS+PC
Camera lens	K9 Glass
Connecting type	2m PVC cable

Environmental

Ambient temperature operation	-25°C. .+55°C
Ambient temperature storage	-35°C. .+70°C
Protection circuit	Polarity protection; Surge protection
Enclosure rating	IP67

Electrical Connection

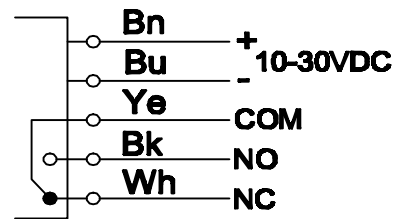


Fig.1